

Extruder



Quality made
in Germany





Florapower

The company Florapower develops and produces equipment for the extraction of oil from plant seeds, and is located in the Environmental Technology Center in Augsburg.

We manufacture complete, automated, and environmentally friendly equipment that features a high degree of pressing power while generating low operating costs, and requiring little effort to operate. With Florapower equipment, our customers should obtain a high marginal return in the long run.

Our products are tested and optimized in our in-house technical center.

With us, you get everything from one source.



- Test pressing in our technical center
- Comprehensive consultation
- Sustainable support
- Individual fitting of the equipment
- On-site staff training for qualified use of the equipment
- Prompt project development and implementation of comprehensive, customized solutions, including storage and building planning
- Installation and installation management, electrical and control systems
- Shipping and customs clearance
- Integration of services through customer-oriented providers / manufacturers
- Remote monitoring (online support)

Comprehensive solutions

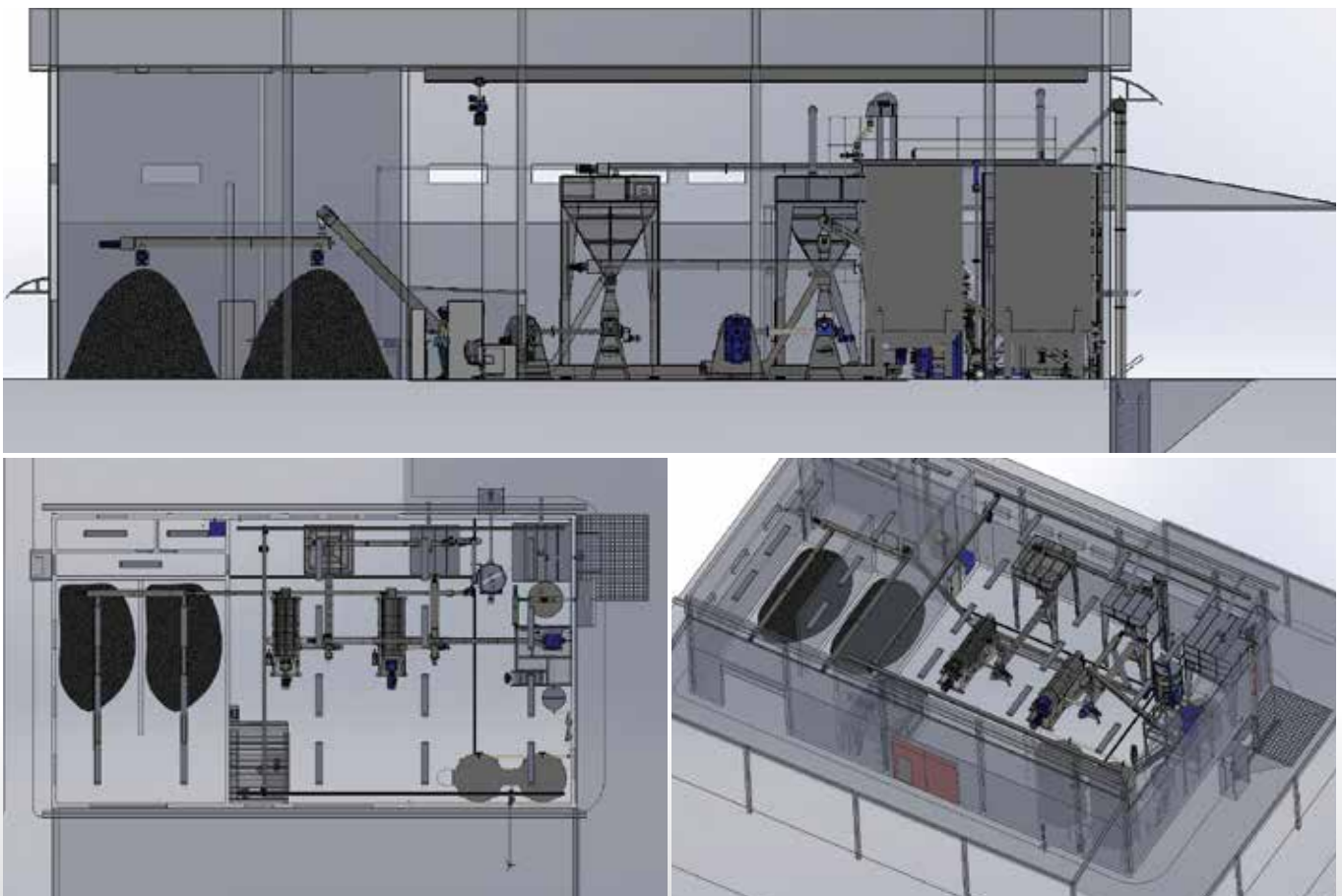
Planning, manufacturing, and world-wide implementation of oil mills for plant oil extraction. With us, you get the entire oil mill from one source.

An oil press is only as good as its environment allows it to be. If you would like to produce high quality oil at low production costs, then it is important that all the components used in the process work in harmony with one another.

The company Florapower offers you comprehensive solutions - from receiving the seeds, their cleaning, storage, preparation, and pressing, all the way up to the finished product.

Building design

If you intend to build a new structure for your oil mill, we will gladly support you in its planning and creation with the help of 3D models. Here, the interface allows for the preparation of an approved and developed building site for the construction project.





Extruder

The extruder is used for the extrusion of soybeans and other oilseeds. The extruder is driven by a synchronous torque motor. In combination with the pre and universal press, and depending upon the seeds, the oil yield can be increased to beyond what would be obtained from a single pressing.

The extruder is characterized by the following advantages:

- Side-gated feed of semi-finished product to improve the material flow of the Extruder.
- Compact and sturdy functional construction.
- Easy accessibility and modular assembly.
- Intended for 24/7, continuous operation.

Technical Data



EXTRUDER

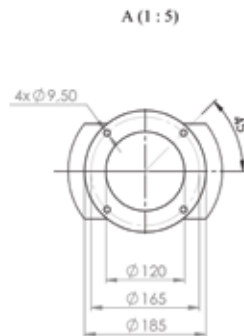
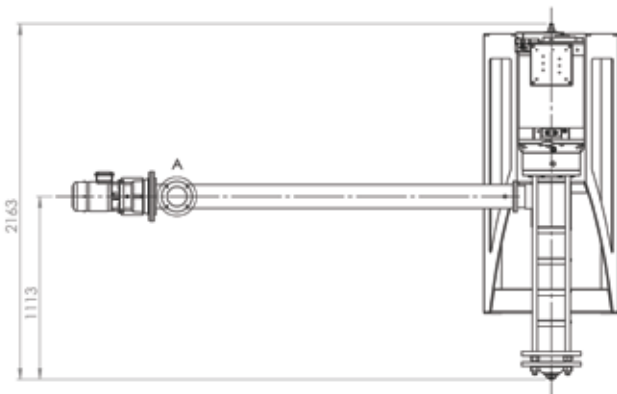
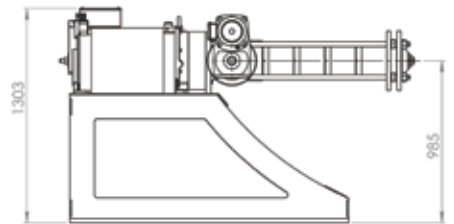
Processing capacity *	up to 1 t/h
Dimensions (L x W x H)	2165 x 825 x 1315 mm
Weight	1005 kg
Motor rating	95 kW
Drive	Synchron Torque Motor
Power supply	3 Phase, 50 Hz, 380 V



* Variable, dependant on seed type and machine setting parameters

Extruder

Seed Input



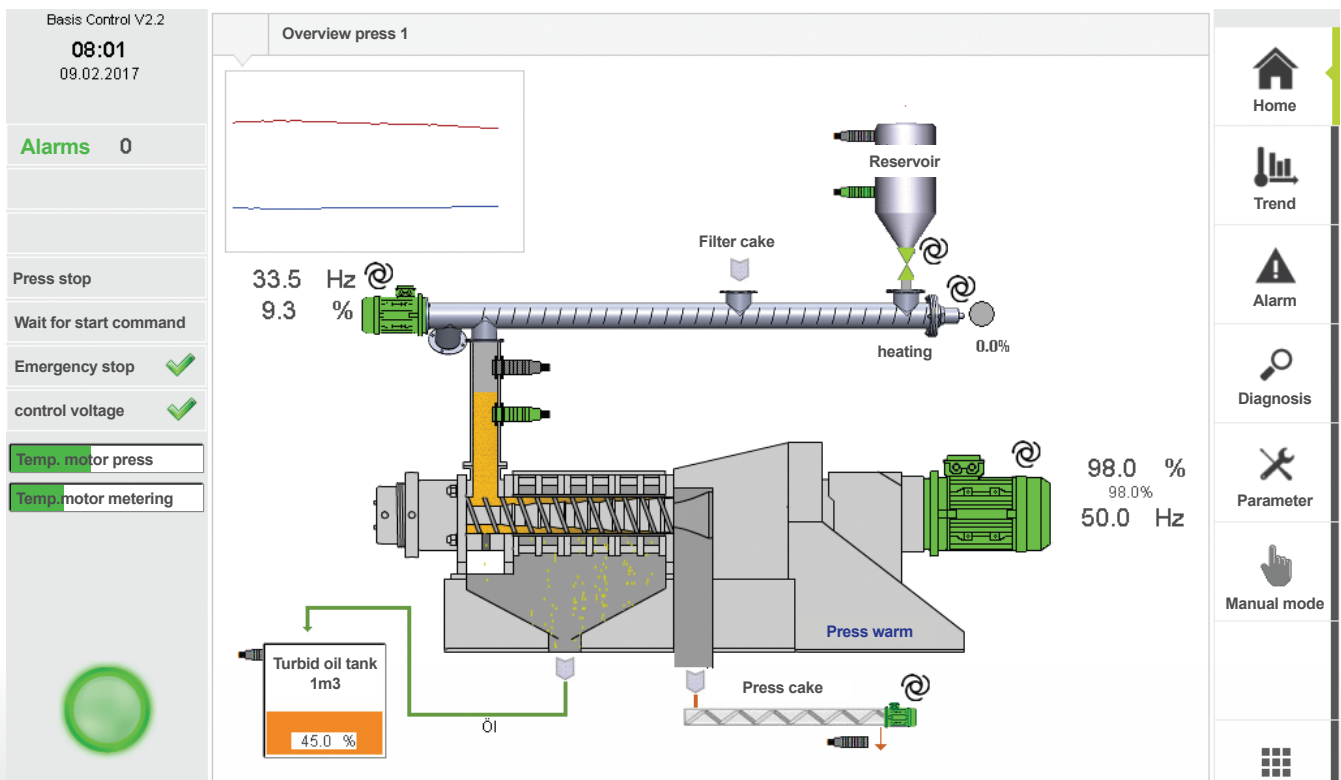


Control system and electronics

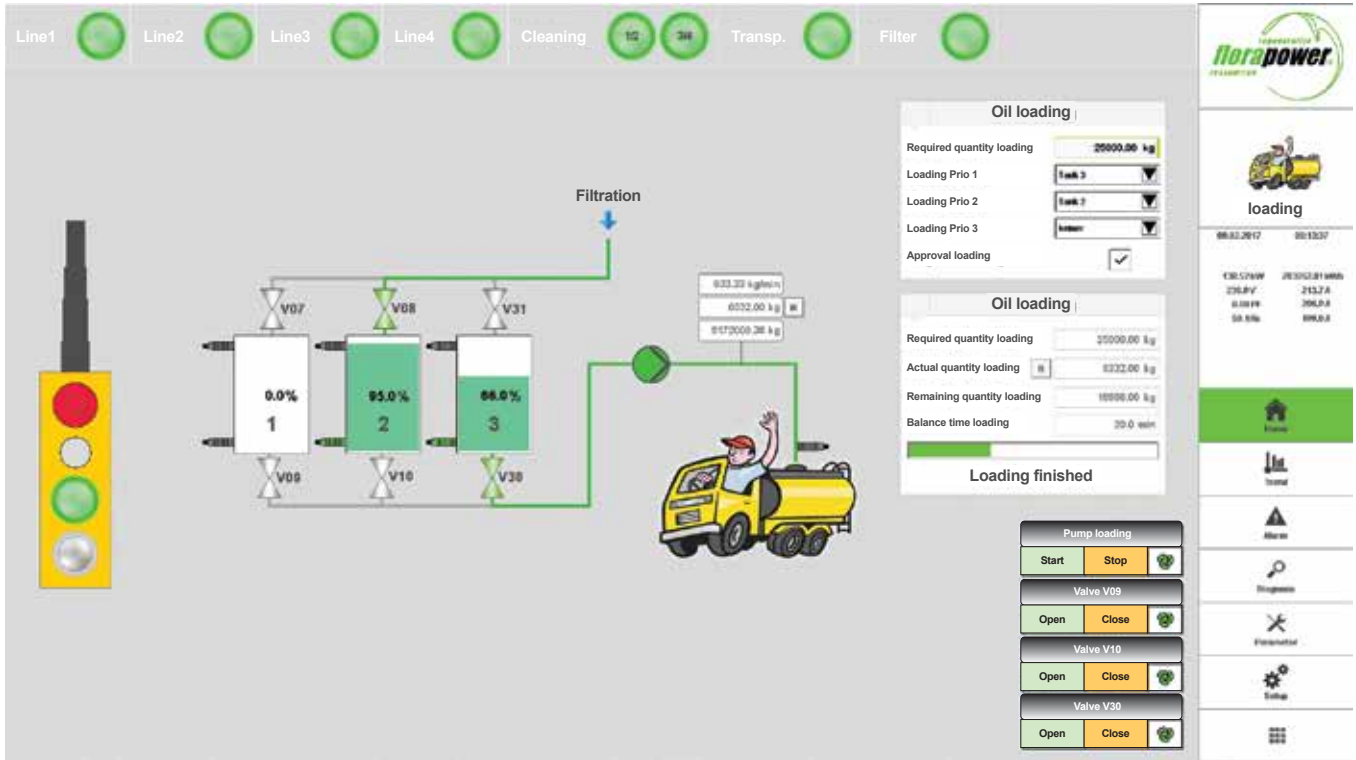
The Florapower control system aims to harmonize and optimize the production process, so that the entire process of oil production, from the adding of the seeds to the finished product (pure oil or the prepared press cake), can be supervised and monitored.

Advantages of Florapower control system:

- Fully automatic control of the entire facility (staff optimization; avoiding operating mistakes; economical regulation of equipment; optimization of the work process).
- World-wide access to the equipment made possible using a Smartphone, home PC and tablet (the process cycle is transparent).
- Remote maintenance made possible with Florapower.
- Error management - the process is optimized by using existing reports from a complete report history.
- Intuitive user guidance with a touchscreen.
- Numerous special functions like statistics, operating hours meter, and monitoring of maintenance and wear.
- Multilingual user interface.
- Different authorization levels.



Control system and electronics



The screenshot displays the main control interface. At the top, there are status indicators for Line1, Line2, Line3, Line4, Cleaning (10, 30), Transp., and Filter. The central area features a process diagram with three tanks (1, 2, 3) and various valves (V07, V08, V09, V10, V31, V30). A truck is shown receiving oil from tank 3. To the right, there are two 'Oil loading' control panels. The top panel shows 'Required quantity loading' at 20000.00 kg and 'Loading finished' status. The bottom panel shows 'Actual quantity loading' at 2332.00 kg and 'Remaining quantity loading' at 10000.00 kg. Below these are 'Pump loading' and 'Valve' control buttons for V09, V10, and V30. A sidebar on the right contains navigation icons for Home, Tank, Alarm, Diagnosis, Parameter, Setup, and a grid icon.



A grid of navigation icons for the control system:

- Line1, Line2, Line3, Line4
- Cleaning, Transport, Pressure leaf filter, Loading
- Data recording, Alarm History, Setup, Login



Florapower GmbH & Co. KG

Am Mittleren Moos 48
86167 Augsburg
Germany

Tel: +49 821 / 8 99 49 88 40
Fax: +49 821 / 8 99 49 88 43

E-Mail: info@florapower.de
Homepage: www.florapower.de

All rights to technical alterations
and errors reserved.

© Florapower 2018

